



Planning and Development Department



ATTACHED PATIO COVER/CARPORT BUILDING STANDARDS

CURRENT ADOPTED CODES:

- 2012 INTERNATIONAL BUILDING CODE (IBC)
- 2012 INTERNATIONAL RESIDENTIAL CODE (IRC)
- 2012 INTERNATIONAL MECHANICAL CODE (IMC)
- 2012 INTERNATIONAL PLUMBING CODE (IPC)
- 2012 INTERNATIONAL FUEL GAS CODE (IFGC)
- 2011 NATIONAL ELECTRICAL CODE (NEC)

MARICOPA COUNTY LOCAL ADDITION & ADDENDA

MARICOPA COUNTY ZONING ORDINANCE

In addition to the building or construction details, you need to know the property's zoning. The zoning classification will determine key items such as the required setbacks and maximum lot coverage allowed on your property. To find out more, you may call customer service at **602-506-3301**.

Planning & Development Department
301 W. Jefferson St, Suite 170
Phoenix, AZ 85008

www.maricopa.gov/planning

April 2014



Planning and Development Department



A building permit is required for the construction, alteration, or repair of a patio cover/carport. Final inspection by the building safety department must be passed for the work to be considered completed by Maricopa County Planning & Development.

A. Definitions

1. A **patio cover** is a structure with open or glazed walls which is used for recreational, outdoor living purposes associated with a dwelling unit.
2. A **carport** structure shall be open on at least two sides with a floor surface of approved non-combustible material. Carports not open on at least two sides shall be considered a garage and shall comply with the provisions of the garage section.

B. Building permit application

1. Building Application Packet
2. Contact Supplemental
3. Disclaimer Form

C. Prepare plans

1. Site/Plot Plans - Seven (7) copies (see sample for all requirements).
2. Construction Plans – Three (3) copies (see sample)

Phone Numbers for information:

1. Building/Zoning Plan Review 602-506-3301
2. Automated Inspection request 602-506-3692

D. Construction Specifications

1. **Lumber:** All lumber must be grade-marked. Posts must be protected against decay and termites.

2. **Ledger to House Attachment:**
*(NOTE: This information does **NOT** apply to Manufactured Homes or Mobile Homes).*

When the ledger is attached to the house, the rafter spans and main beam sizes are shown in the table.

3. **Roof:** The minimum roof slope is ¼” in one foot. Specify roof covering when submitting plans. Roof materials must be approved for roof slope.

E. Inspections - Inspections are required at the following times:

1. When footings are dug and before concrete is poured.
2. Framing of all members.
3. Electrical (if shown on approved plans).
4. Roof sheathing.
5. Drywall.
6. Drainage Final #970 (if required).
7. Building Final #900.

When work is complete and all required inspections have been completed / passed, the permit status will be changed to FINAL and considered complete by Maricopa County.



Planning and Development Department



Gypsum board ceilings shall be exterior grade referred to as "Brown Board".

NOTE: All wood members must be a minimum of Douglas Fir #2 grade or better

Roofing _____
 Sheathing _____
 Underlayment _____

(See Table 3) RAFTER SIZE _____
 Spacing _____

OVERHANG

of COLUMNS _____

(See Table 2) BEAM SIZE _____

(See Table 1) FOOTING SIZE _____

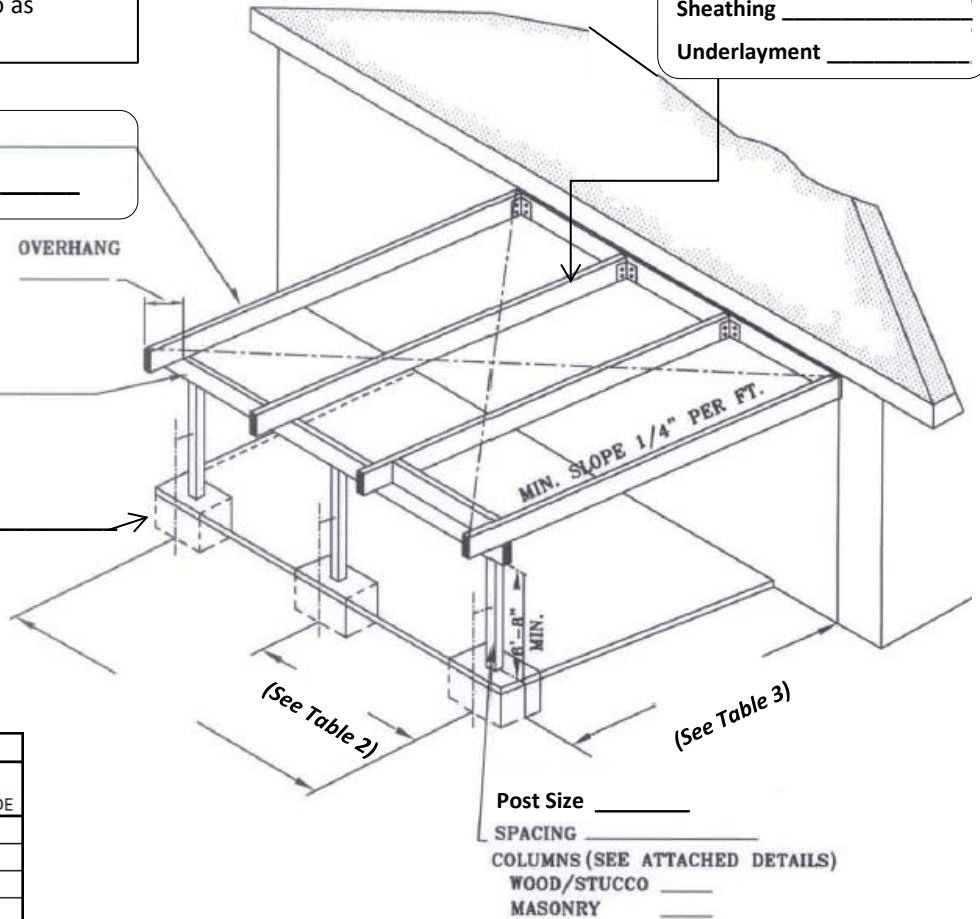


Table 1

MINIMUM FOOTING SIZES (INCHES)			
WIDTH	DEPTH BELOW FINISH GRADE		
16	16	16	16
18	16	18	18
20	16	18	20
24	18	20	24
30	20	24	30
36	24	30	36

NOTE: When overhang is 12" or less, a 2" fascia board may be used in lieu of blocking.

Table 2

MINIMUM BEAM SIZES (INCHES)							
POST SPACING (FT)	RAFTER SPANS (FT)						
	6	8	10	12	14	16	18
4	4X4	4X4	4X4	4X4	4X4	4X4	4X4
6	4X4	4X4	4X6	4X6	4X6	4X6	4X6
8	4X6	4X6	4X6	4X6	4X8	4X8	4X8
10	4X6	4X8	4X8	4X8	4X10	4X10	4X10
12	4X8	4X8	4X10	4X10	4X12	4X12	4X12
14	4X8	4X10	4X10	4X12	4X12	4X12	4X14
16	4X10	4X10	4X12	4X12	4X14	4X14	4X16
18	4X10	4X12	4X14	4X16	4X16	4X16	4X16

Table 3

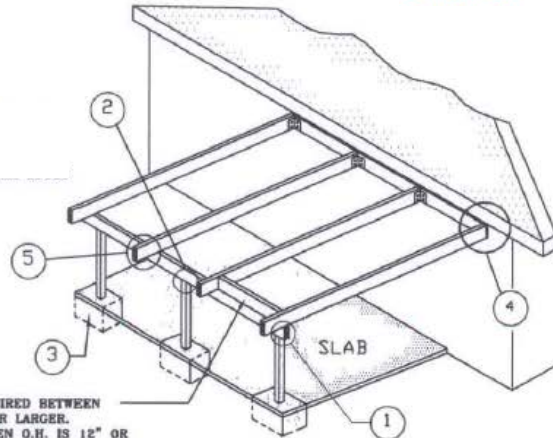
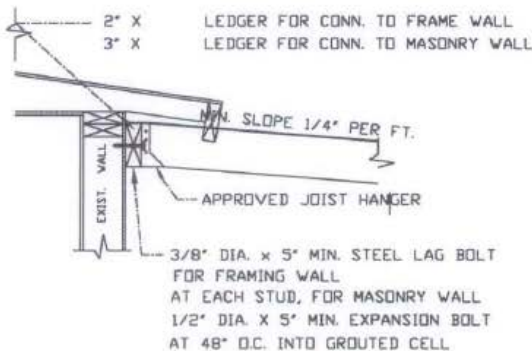
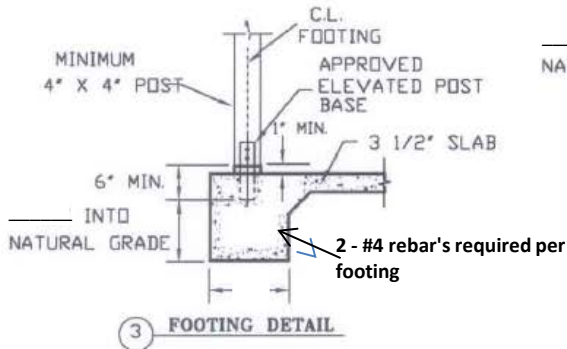
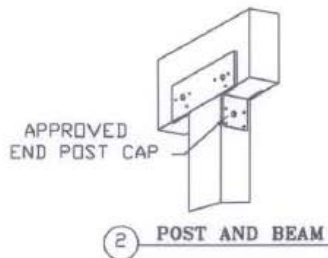
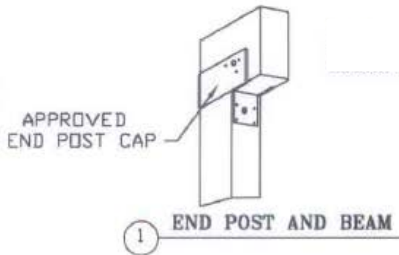
MINIMUM RAFTER SIZES (INCHES)			
RAFTER SPANS (FT)	RAFTER SPACING (CENTER TO CENTER)		
	12	16	24
10	2X6	2X6	2X6
11	2X6	2X6	2X8
12	2X6	2X6	2X8
13	2X6	2X8	2X8
14	2X6	2X8	2X10
15	2X8	2X8	2X10
16	2X8	2X8	2X10
17	2X8	2X10	2X10
18	2X8	2X10	2X12

*ALL MEMBERS LARGER THAN TABLES ABOVE WILL REQUIRE STRUCTURAL ENGINEERING BY A REGISTERED PROFESSIONAL

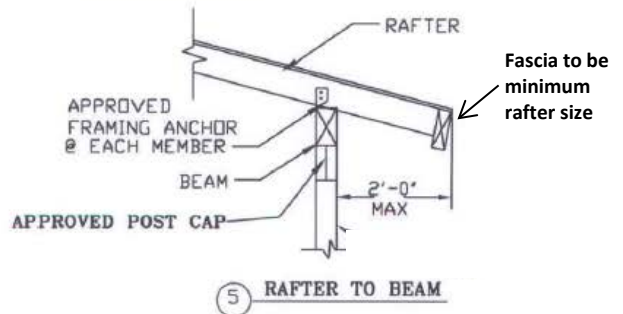
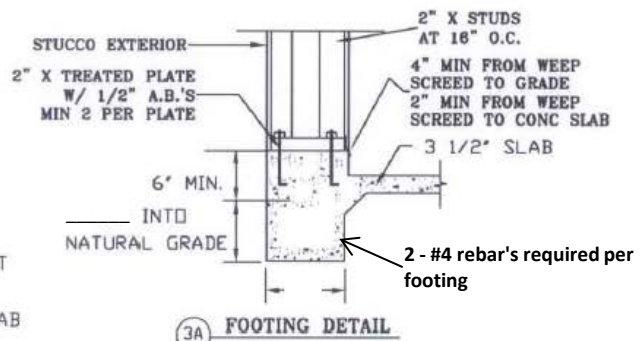
April 2014



Planning and Development Department



BLOCKING REQUIRED BETWEEN
JOISTS 2"X6" OR LARGER.
EXCEPTION: WHEN O.H. IS 12" OR
LESS, A 2" X FASCIA BOARD MAY
BE USED IN LIEU OF BLOCKING



NOTE:
REMOVE STUCCO, LATHE AND FOAM FOR
WOOD TO WOOD CONNECTION AT LEDGER.